

Snapfit Indicator Lights for 1.282" x .395" Mounting Hole

31 SERIES

- RECTANGULAR INDICATOR LIGHTS FOR 1.281" X .395" MOUNTING HOLE
- 1/4" TAB TERMINALS
- NEON OR INCANDESCENT INDICATOR LIGHTS
- VARIETY OF LENS COLORS
- UL AND CSA LISTED • UL FILE E20356 • CSA FILE LR15284-5,8,12,17

Overview

The 31 Series Rectangular indicators feature a wide variety of lens colors and voltage options. Indicator lights quickly snap fit into a 1.281" x .395" (32.54mm x 10.03mm) mounting hole. Recommended panel thickness range from .020" minimum to .090" maximum. Lenses may be customized with stamped message. Contact your customer service representative for specific ordering information.

Specifications

Housing: white nylon. A black housing is available.

Bezel: zinc plated steel. A black anodized bezel is available.

Lens: polycarbonate. Lenses may be customized with stamped message.

Incandescent AC or DC voltage options: 6, 14 and 28 volts.

Neon AC or DC voltage options: 125 and 250 volts.
Note: high brightness green and blue neon lamps supplied in green and blue neon applications.

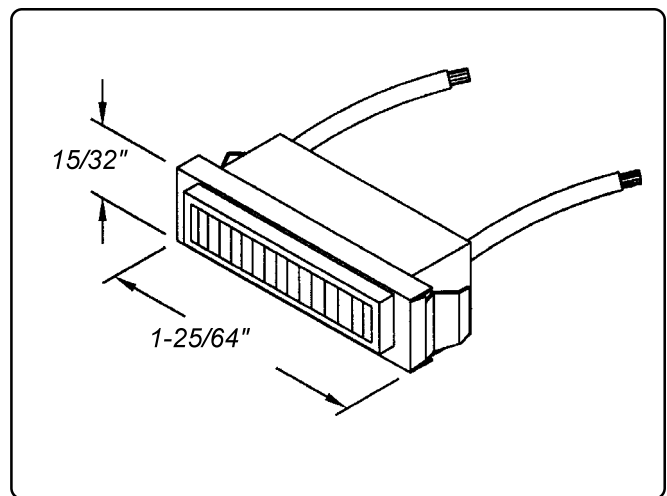
Wire leads:

6" leads: #18 AWG, black, bare copper, PVC insulated, UL/CSA rated 105° C, stripped 1/2". Custom wire lengths, stripping, termination and wire types are available.

Terminals:

1/4" tabs: brass, (1/4" length x 0.030" thick).

3/16" tabs: brass, (3/16" length x 0.020" thick).



Can't find it here? We have many more standard and custom solutions

The items in this product sheets are only a small representative sample of the complete VCC product line. We manufacture many additional products which are not shown in this product sheet due to space constraints.

Custom products can also be designed uniquely for you by our Technical Support Professionals. Starting from your ideas and specifications, we work with your personnel to develop timely and cost effective solutions for your miniature lighting needs.

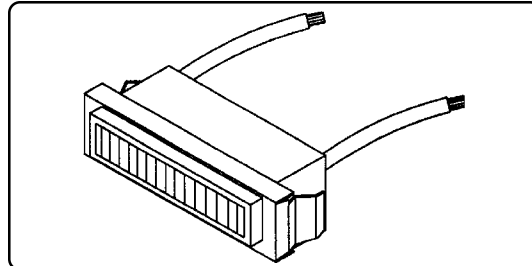
VCC Technical Support Services are provided without charge and may include designs, prototypes and pre-production samples.

For further information, phone Customer Service at 800.522.5546.

Snapfit Indicator Lights for 1.282" x .395" Mounting Hole

31 SERIES

Zinc Plated Bezel
White Nylon Housing
Neon or
Incandescent



1/4" Tab Terminals
SnapFit Mounting
Variety of Lens Colors

| Part Number 1/4" Tab Terminals | Lens Color | Lamp Type | Design Volts | Design Watts or Amps | Life (hrs) |
|-----------------------------------|------------|--------------|-----------------|----------------------------|------------|
| 31-2111T | Red | Neon | 125 | 1/3W | 25,000 |
| 31H-2111T | Red | Neon | 250 | 1/3W | 25,000 |
| 31G1-2111T | Red | Incandescent | 6 | .20A | 5,000 |
| 31G3-2111T | Red | Incandescent | 14 | .10A | 10,000 |
| 31G18-2111T | Red | Incandescent | 28 | .04A | 7,000 |
| 31-2112T | Green | Neon | 125 | 1/3W | 25,000 |
| 31H-2112T | Green | Neon | 250 | 1/3W | 25,000 |
| 31G1-2112T | Green | Incandescent | 6 | .20A | 5,000 |
| 31G3-2112T | Green | Incandescent | 14 | .10A | 10,000 |
| 31G18-2112T | Green | Incandescent | 28 | .04A | 7,000 |
| 31-2113T | Amber | Neon | 125 | 1/3W | 25,000 |
| 31H-2113T | Amber | Neon | 250 | 1/3W | 25,000 |
| 31G1-2113T | Amber | Incandescent | 6 | .20A | 5,000 |
| 31G3-2113T | Amber | Incandescent | 14 | .10A | 10,000 |
| 31G18-2113T | Amber | Incandescent | 28 | .04A | 7,000 |
| 31-2114T | Blue | Neon | 125 | 1/3W | 25,000 |
| 31H-2114T | Blue | Neon | 250 | 1/3W | 25,000 |
| 31G1-2114T | Blue | Incandescent | 6 | .20A | 5,000 |
| 31G3-2114T | Blue | Incandescent | 14 | .10A | 10,000 |
| 31G18-2114T | Blue | Incandescent | 28 | .04A | 7,000 |
| 31-2115T | White | Neon | 125 | 1/3W | 25,000 |
| 31H-2115T | White | Neon | 250 | 1/3W | 25,000 |
| 31G1-2115T | White | Incandescent | 6 | .20A | 5,000 |
| 31G3-2115T | White | Incandescent | 14 | .10A | 10,000 |
| 31G18-2115T | White | Incandescent | 28 | .04A | 7,000 |
| 31-2117T | Clear | Neon | 125 | 1/3W | 25,000 |
| 31H-2117T | Clear | Neon | 250 | 1/3W | 25,000 |
| 31G1-2117T | Clear | Incandescent | 6 | .20A | 5,000 |
| 31G3-2117T | Clear | Incandescent | 14 | .10A | 10,000 |
| 31G18-2117T | Clear | Incandescent | 28 | .04A | 7,000 |